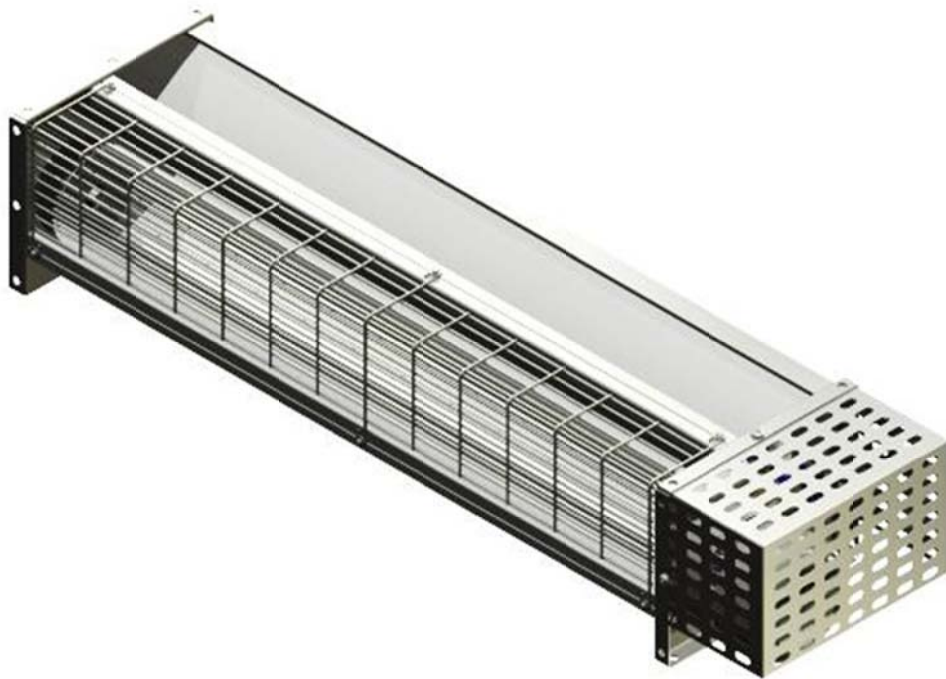


Cross-Flow Fans



TRANSFORMER COOLING SOLUTIONS



ISO
9001
QUALITY
ASSURANCE

CROSS-FLOW FANS FOR DRY TYPE TRANSFORMERS

STE Technic designs and manufactures air forced cooling solutions for distribution and power transformers. Our cross-flow fans are engineered especially for conditions and environments of power generation, transmission and distribution sites with wide range of options.

Technical Information

- ✓ Optimized fan blades adopts advanced aerodynamic design.
- ✓ Dynamic balance achieved as G6,3.
- ✓ Fan blade is aluminum, casing and optional guards are galvanized steel.
- ✓ Fan operation ambient temperature range is -25°C ~ +60°C.
- ✓ Motor winding insulation class is H.
- ✓ Fans have single-phase capacitor running and supply voltage is 220~240VAC.
- ✓ Wiring terminal block is mounted on the fan.
- ✓ Overload protected with internal OLP.
- ✓ Optional motor and inlet guards can be installed for increased safety.

Standards & Details

Standard ISO 5801

Balance Quality G6,3 according to ISO 1940-1

Tolerance Class 2 according to DIN 24166

Mounting Position Motor on right or motor on left according to order

Motor Induction type high efficiency motor

Winding Insulation Class H

Winding Temperature Rise Class B

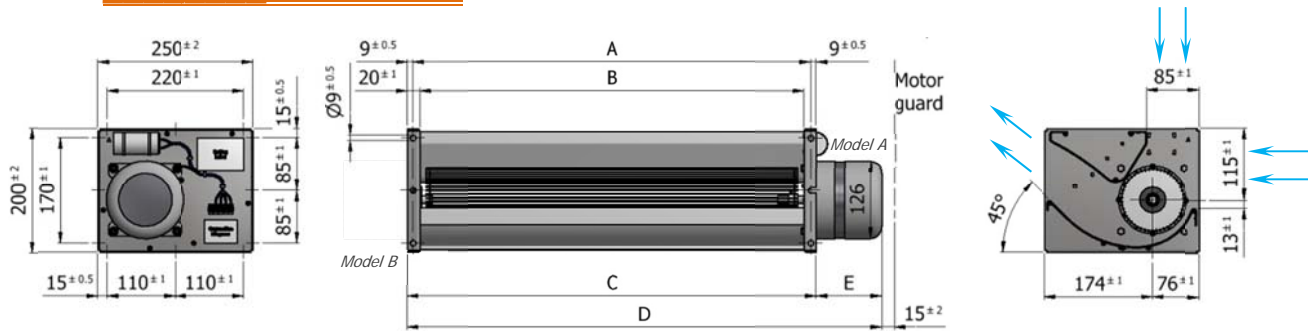
Operation Indoor



CROSS-FLOW FANS FOR DRY TYPE TRANSFORMERS

50HZ OPERATON

Dimensions



Optional Accesories



Model	A [mm]	B [mm]	C [mm]	D [mm]	E [mm]
CF100-620LN	642	620	660	765	105
CF100-620S	642	620	660	765	105
CF100-620M	642	620	660	805	145
CF100-620H	642	620	660	825	165
CF100-720LN	742	720	760	865	105
CF100-720S	742	720	760	865	105
CF100-720H	742	720	760	905	145
CF100-820LN	842	820	860	965	105
CF100-820S	842	820	860	965	105
CF100-820H	842	820	860	1005	145

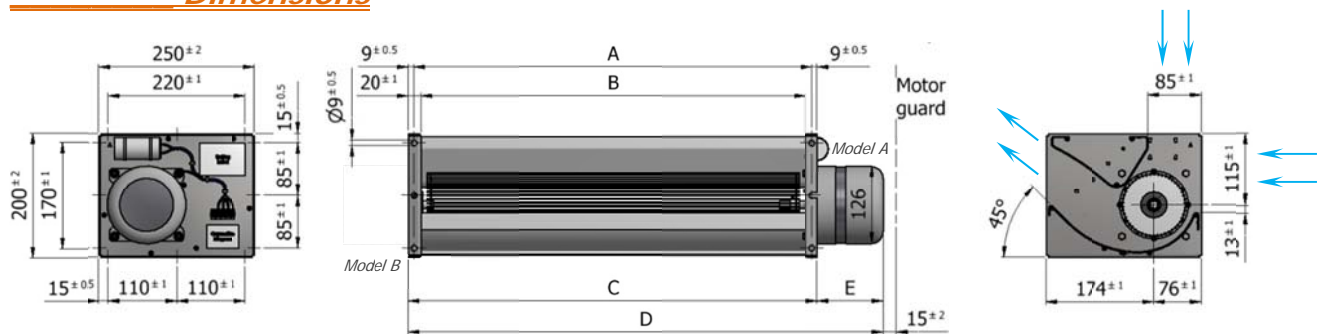
Performance Data

Model	Supply Power	Input Power [W]	Speed [rpm]	Air Flow [m ³ /h]	Current [A]	Sound LpA@1m [dB(A)]	Weight [kg]
CF100-620LN	220~240VAC 50Hz single phase	150	930	1150	0,8	53	8,3
CF100-620S		240	1430	1600	1,6	63	8,3
CF100-620M		470	1900	2200	2,2	69	11,3
CF100-620H		700	2600	2700	3,2	79	12,8
CF100-720LN	220~240VAC 50Hz single phase	150	900	1300	0,8	53	8,5
CF100-720S		240	1400	1900	1,6	63	8,5
CF100-720H		490	1900	2500	2,3	69	11,5
CF100-820LN	220~240VAC 50Hz single phase	160	930	1500	0,8	53	8,7
CF100-820S		240	1400	2150	1,6	64	8,7
CF100-820H		570	1900	3100	2,5	70	11,7

CROSS-FLOW FANS FOR DRY TYPE TRANSFORMERS

60HZ OPERATION

Dimensions



Optional Accesories



Model	A [mm]	B [mm]	C [mm]	D [mm]	E [mm]
CF100-620LN.60	642	620	660	765	105
CF100-620S.60	642	620	660	765	105
CF100-720LN.60	742	720	760	865	105
CF100-720S.60	742	720	760	865	105
CF100-820LN.60	842	820	860	965	105
CF100-820S.60	842	820	860	965	105

Performance Data

Model	Supply Power	Input Power [W]	Speed [rpm]	Air Flow [m ³ /h]	Current [A]	Sound LpA@1m [dB(A)]	Weight [kg]
CF100-620LN.60	220~240VAC 60Hz single phase	150	1090	1380	0,8	57	8,3
CF100-620S.60		240	1660	1900	1,5	67	8,3
CF100-720LN.60	220~240VAC 60Hz single phase	150	1100	1600	0,8	57	8,5
CF100-720S.60		250	1670	2350	1,5	67	8,5
CF100-820LN.60	220~240VAC 60Hz single phase	160	1100	1800	0,8	58	8,7
CF100-820S.60		250	1670	2600	1,5	68	8,7