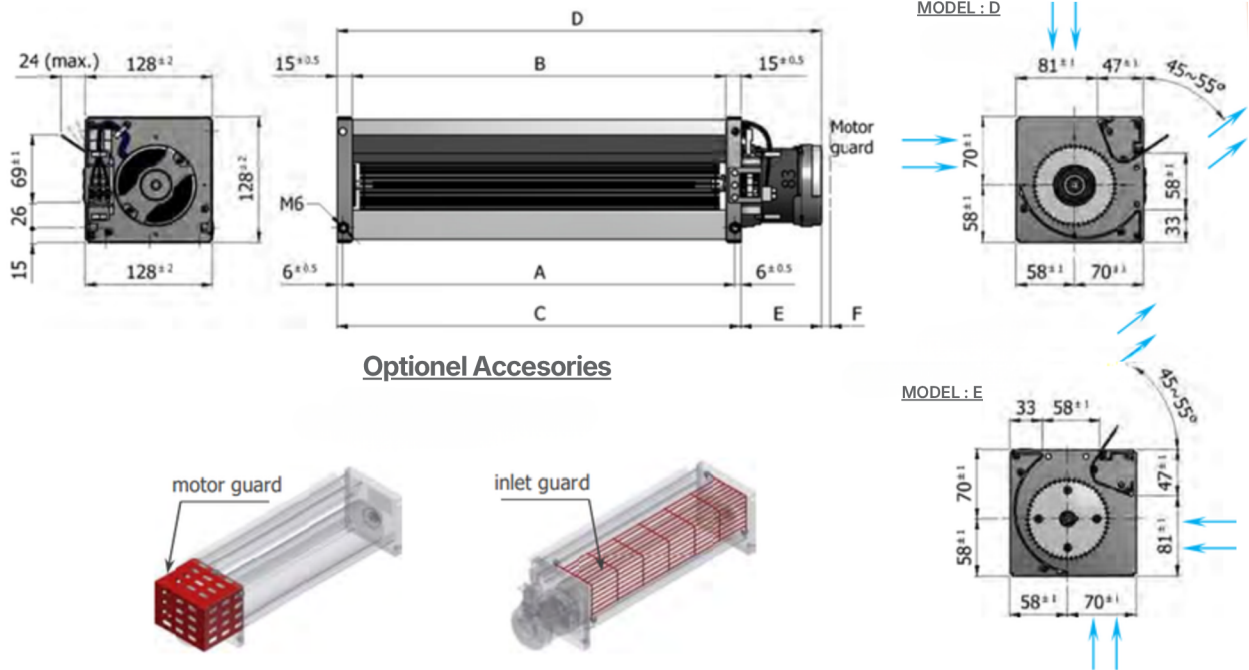
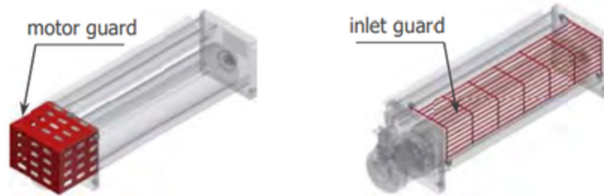


CF80 50 HZ OPERATION

► Dimensions



Optional Accesories



Model	A [mm]	B [mm]	C [mm]	D [mm]	E [mm]	F [mm]
CF80-180S	214	196	226	301,5	75,5	10
CF80-360S	394	376	406	481,5	75,5	10
CF80-500S	534	516	546	621,5	75,5	10
CF80-180H	214	196	226	306,5	80,5	5
CF80-360H	394	376	406	486,5	80,5	5
CF80-500H	534	516	546	626,5	80,5	5

► Performance Data

Model	Supply Power	Input Power [W]	Speed [rpm]	Air Flow [m ³ /h]	Current [A]	Sound LpA@1m [dB(A)]	Weight [kg]
CF80-180S	220~240VAC 50Hz Single Phase	95	2600	480	0,45	60	3,0
CF80-360S		120	2350	880	0,55	60	3,5
CF80-500S		135	2100	1060	0,60	60	4,0
CF80-180H	220~240VAC 50Hz Single Phase	110	2800	580	0,50	62	3,3
CF80-360H		140	2700	1000	0,60	65	3,8
CF80-500H		160	2650	1400	0,66	65	4,3