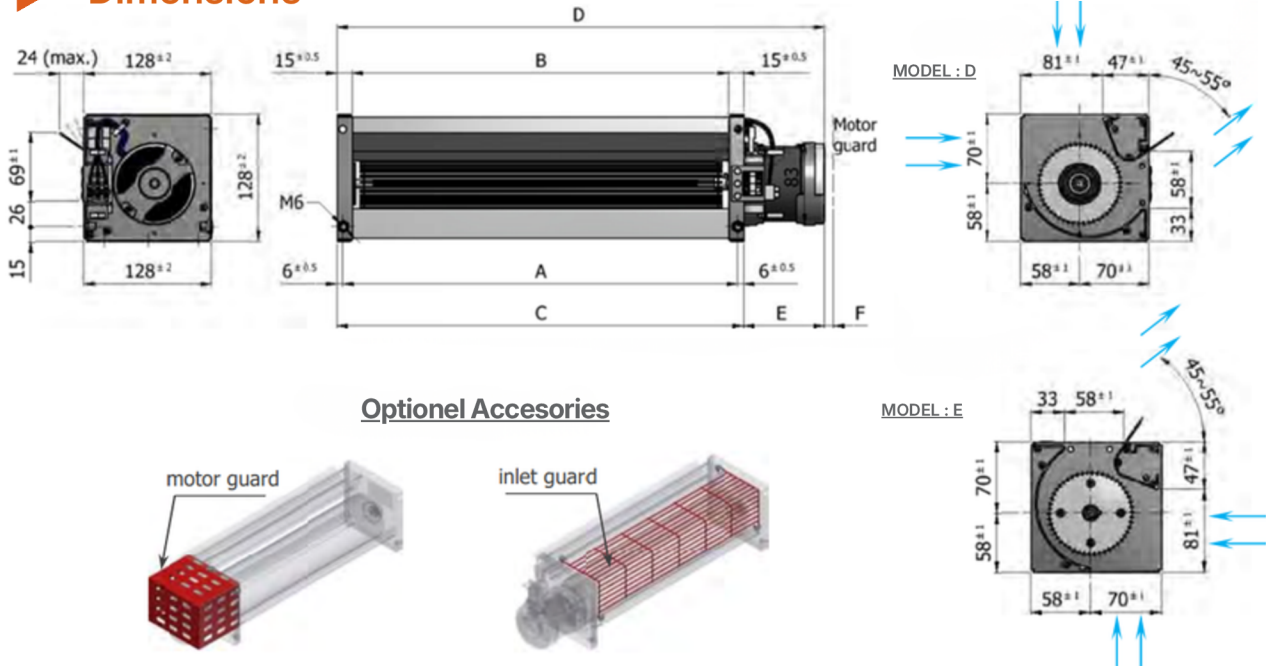


CROSS - FLOW FANS FOR DRY TYPE TRANSFORMERS

CF80 60 HZ OPERATION

► Dimensions



Optional Accesories



Model	A [mm]	B [mm]	C [mm]	D [mm]	E [mm]	F [mm]
CF80-180H.60	214	196	226	306,5	80,5	5
CF80-360H.60	394	376	406	486,5	80,5	5
CF80-500H.60	534	516	546	626,5	80,5	5

► Performance Data

Model	Supply Power	Input Power [W]	Speed [rpm]	Air Flow [m ³ /h]	Current [A]	Sound LpA@1m [dB(A)]	Weight [kg]
CF80-180H.60	220~240VAC 60Hz Single Phase	145	3200	660	0,65	69	3,3
CF80-360H.60		190	3000	1200	0,85	71	3,8
CF80-500H.60		205	2800	1550	0,90	69	4,3